

Installation instructions

ZETA CONVERSION DUCT CT125 '20- / TRAIL125 '21-

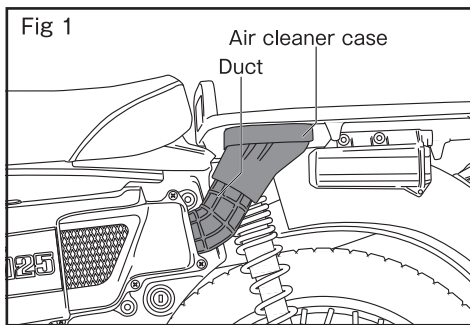
Thank you for purchasing our ZETA product.
In order to use this product correctly, please read this manual carefully before use.

1.注意事項

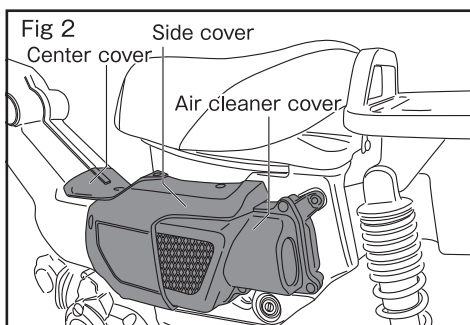
- Special knowledge and skills are required for installation. Careless work may cause an unexpected accident or failure.
- This product cannot be used with other optional parts if they interfere with this product.
- Please work on a flat area.
- Do not process or modify the product. It may cause an accident or damage.
- If any defect is found, stop work and contact us.
- Be sure to fit the notch properly. If not, it may come off.

2.Installation Please refer to the service manual published by the manufacturer of the bike.

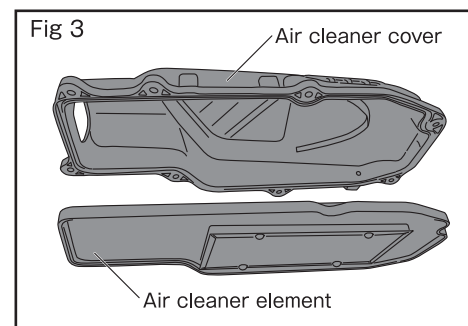
1) Remove the stock air cleaner case and duct. (Fig 1)



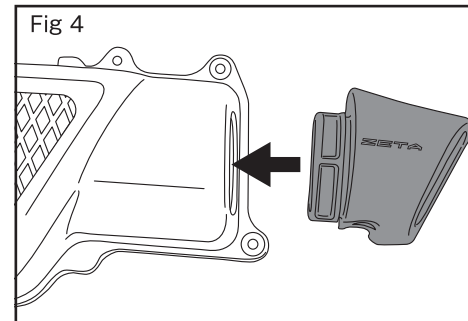
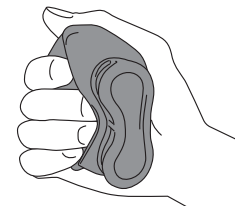
2) Remove the center cover, side cover, and air cleaner cover in this order. (Fig 2)



3) Remove the air cleaner element from the air cleaner cover. (Fig 3)

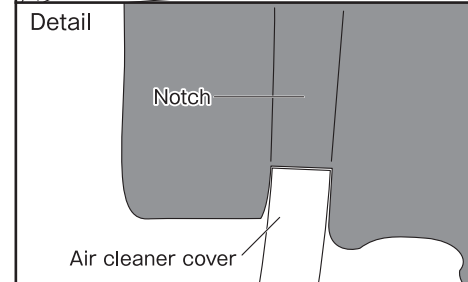
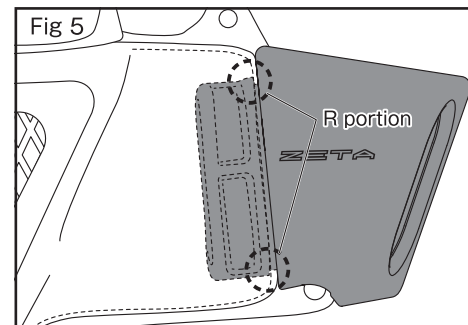


4) Install the conversion duct in the same way as the factory ducts. (Fig 4) At this time, deforming it as shown in the figure below makes it easy to install.



5) Make sure that the notch of this product is fitted properly in the air cleaner cover. (Fig 5)

⚠ Attention
At this time, if there is any part that is not fitted properly, even a little, it may cause the part to come off. Also, be careful with the R portion, as it is easily overlooked.



6) Return the removed parts in the reverse order.